

# TFT DISPLAY SPECIFICATION



RAYSTAR

RAYSTAR Optronics, Inc.  
曜凌光電股份有限公司



曜凌光電股份有限公司  
Raystar Optronics, Inc.

T: +886-4-2565-0761 | F: +886-4-2565-0760  
sales@raystar-optronics.com | www.raystar-optronics.com

---

## RFF700C4-EIW-DAN

### SPECIFICATION

#### General Specifications

- Size: 7.0 inch
- Dot Matrix: 800 x RGB x 480(TFT) dots
- Module dimension: 181.2(W) x 105.40(H) x 9.7(D) mm
- Active area: 152.4 x 91.44 mm
- Pixel pitch: 0.1905 x 0.1905 mm
- LCD type: TFT, Normally White, Transmissive
- View Direction: 12 o'clock
- Gray Scale Inversion Direction: 6 o'clock
- Aspect Ratio: 16:9
- Backlight Type: LED, Normally White
- Controller IC: SSD1963
- Interface: Digital 8080 family MPU( 8bit Parallel )
- Touch Panel: Without Touch Panel
- Surface: Anti-Glare

\*Color tone slight changed by temperature and driving voltage.

# Interface

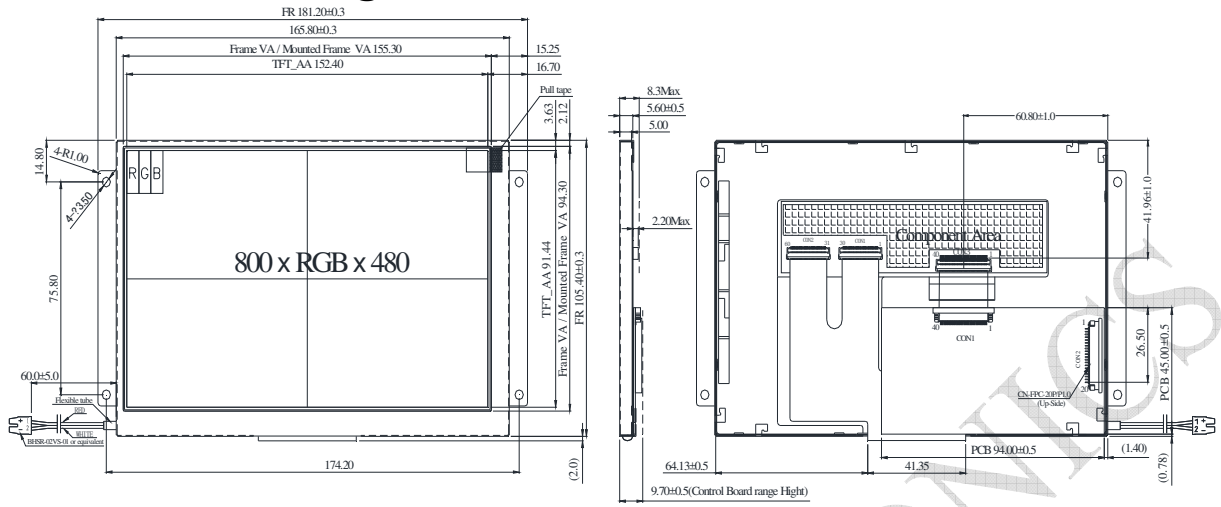
## 1. LCM PIN Definition

Pin	Symbol	Description
1	GND	Power Ground
2	VDD	Power Supply : +3.3V
3	NC	No connect
4	D/C	Data/Command select
5	WR	Write strobe signal
6	RD	Read strobe signal
7	DB0	Data bus
8	DB1	Data bus
9	DB2	Data bus
10	DB3	Data bus
11	DB4	Data bus
12	DB5	Data bus
13	DB6	Data bus
14	DB7	Data bus
15	CS	Chip select
16	NC	No connect
17	NC	No connect
18	RST	Hardware reset
19	NC	No connect
20	NC	No connect

## 2. Backlight Driving Part

Pin No.	Symbol	Description
1	VLED+	Red, LED_ Anode
2	VLED-	White, LED_ Cathode

# Contour Drawing



Note:  
Front view will see two layers of iron frame.

CON2			
PIN NO.	SYMBOL	PIN NO.	SYMBOL
1	GND	11	DB4
2	VDD	12	DB5
3	NC	13	DB6
4	DC	14	DB7
5	WR	15	CS
6	RD	16	NC
7	DB0	17	NC
8	DB1	18	RST
9	DB2	19	NC
10	DB3	20	NC

BL	
PIN NO.	SYMBOL
1	VLED+
2	VLED-

The non-specified tolerance of dimension is ±0.3 mm .

## Absolute Maximum Ratings

Item	Symbol	Min	Typ	Max	Unit
Operating Temperature	TOP	-20	—	+70	°C
Storage Temperature	TST	-30	—	+80	°C

## Electrical Characteristics

Operating conditions:

Item	Symbol	Condition	Min	Typ	Max	Unit
Supply Voltage For LCM	VDD	-	3.0	3.3	3.6	V
Supply Current For LCM	IDD	Black Pattern	—	160	240	mA