



DLF/DLH1055-I 10.4" TFT LCD, 1000 nits LED Backlight, 1024x768

The DLF/DLH1055-I is a 10.4 inch industrial grade sunlight readable LCD, with high brightness 1000 nits, it produces sharp images, crisp text and lifelike colors. The Durapixel LED backlight technology ensures high reliability and low power consumption, suitable for outdoor application, kiosk, factory automation, military, transportation and gaming application.

Key Features

- 10.4" sunlight readable, high brightness
- Resolutions: 1024x768
- LED Backlight
- Aspect ratio of 4:3
- Wide temperature (-20°C~70°C)
- Low power consumption
- BL MTBF: 100,000 hours



Specifications

| | |
|--------------------------------|---|
| Model Name | DLF/DLH1055-I |
| Description | 10.4" TFT LCD, 1000nits LED Backlight, 1024x768 |
| Screen Size | 10.4" |
| Display Area (mm) | 210.432 (H) x 157.824(V) mm |
| Brightness | 1000 cd/m ² |
| Resolution | 1024x768 |
| Aspect Ratio | 4:3 |
| Contrast Ratio | 1300 : 1 |
| Pixel Pitch (mm) | 0.2055(H) x 0.2055(V) |
| Pixel Pre Inch (PPI) | 123 |
| Viewing Angle | 176°(H),176°(V) |
| Color Saturation (NTSC) | 83% |
| Display Colors | 16.2M |
| Response Time (Typical) | 25ms |
| Panel Interface | LVDS |
| Input Interface | VGA, DVI-D, HDMI |
| Input Power | DC 12V |
| Power Consumption | 8W(13W with AD Board) |
| OSD Key | 4 Keys (Power Switch, Menu, +, -) |
| OSD Control | Brightness, Color, Contrast, H/V Position...etc |
| Dimensions (mm) | 225.5 x 176.3 x 8.7 (T) |
| Bezel Size(U/B/L/R) | 9.988/8.488/8.184/6.884mm |
| Weight (Net) | 0.8 kg |
| Operating Temperature | -20°C ~ 70°C |
| Storage Temperature | -30°C ~ 85°C |

DLF= Panel + LED Driving Board

DLH= Panel + LED Driving Board + AD Control Board

Specifications are subject to change without notice.

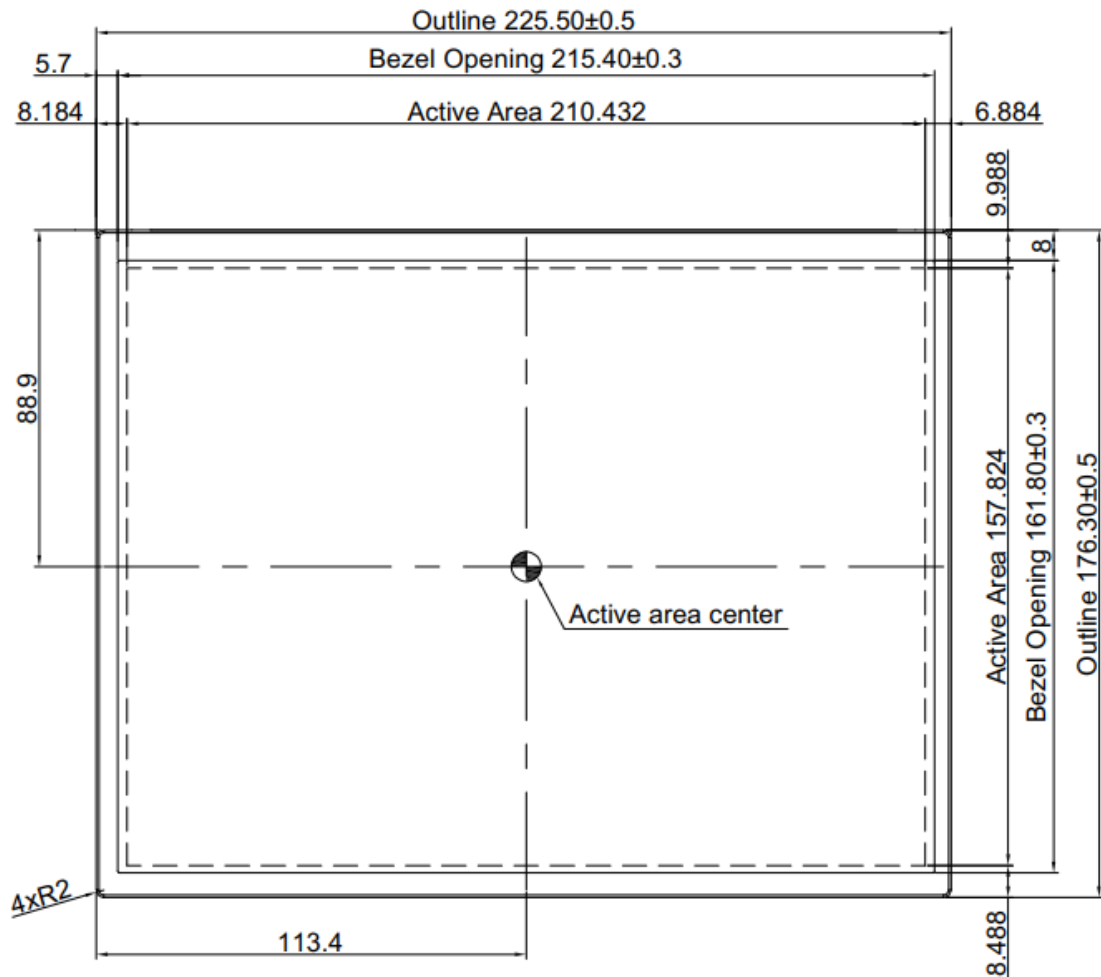


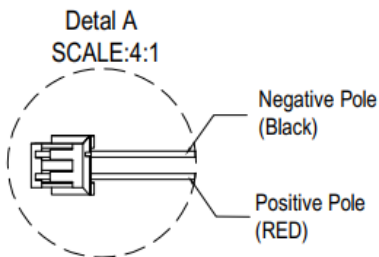
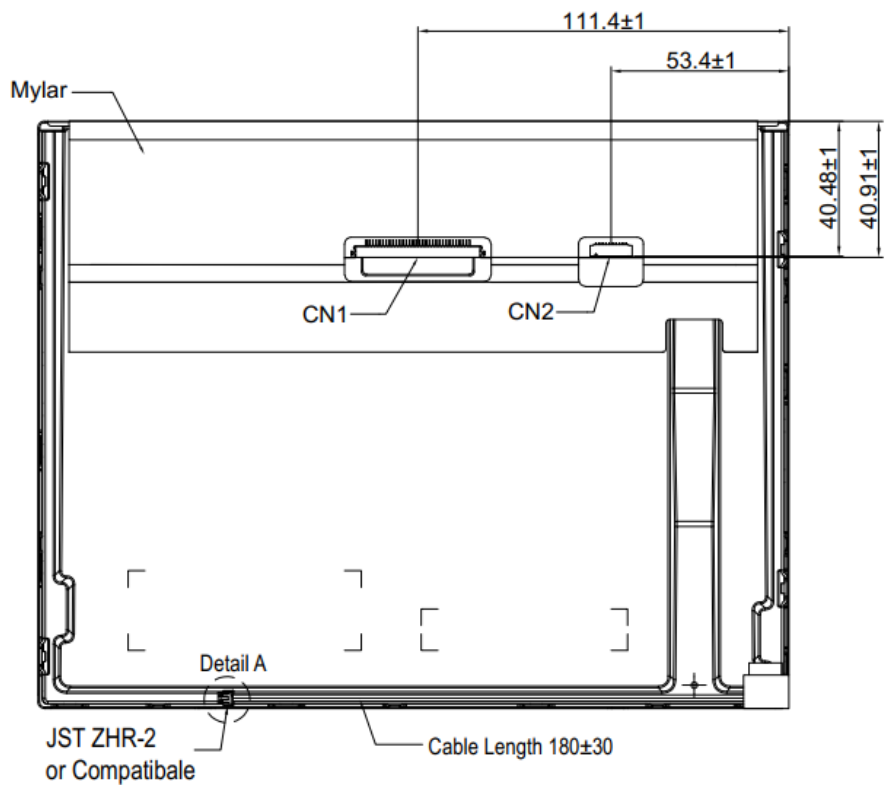
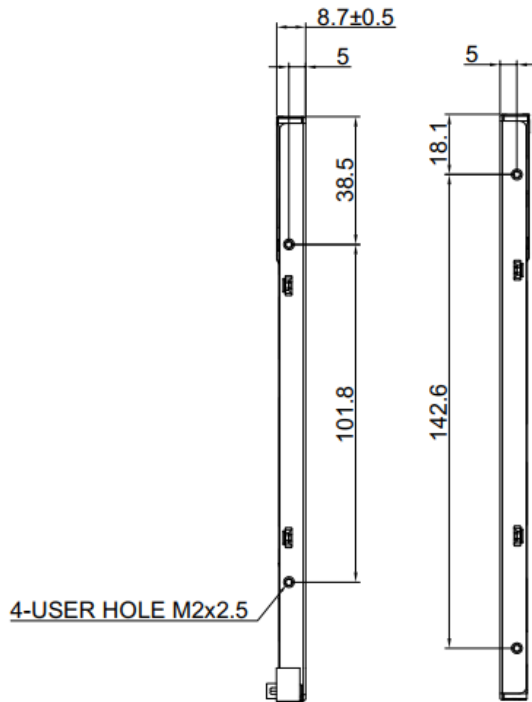
All brands or product names are trademarks or registered trademarks of their respective companies.

Mechanical Drawing

Outline Dimensions

Unit:mm





Note :

1. Tolerance is ± 0.5 mm unless noted.
2. "()" marks the reference dimension.
3. Cable: UL 1061 AWG28 CSA
4. CN1: LVDS Connector (P-TWO, 187106-30091 or STM, MSCK2407P30.D or equivalent)
CN2: LED Driver Connector (ACES, 91208-01001-H01 or equivalent)



Ordering Information

| Part Number | Description |
|------------------------|--|
| DLF1055-INN-A11 | 10.4",1000nits,1024x768,T2070,LID10C,5in1,V1 |
| DLH1055-INN-Q11 | 10.4",1000nits,1024x768,T2070,LID10C,AD8891GDH,DC12V,5in1,V1 |

Optional Accessories

| Part Number | Description |
|---------------------|---|
| 840612051212 | ADAPTER,AC/DC,12V/5A,60W.Power-Din-4P,CWT.G99-ABF060F-N022.Efficiency-level-6,R |
| 810618301010 | CABLE,POWER,AC,1830mm USA type |
| 810618301090 | CABLE,POWER,AC,1830mm Europe type |
| 810618301050 | CABLE,POWER,AC,1830mm UK type |
| 810618301170 | CABLE,POWER,AC,1830mm Australia type |
| 810618301030 | CABLE,POWER,AC,1830mm Japan type |