



RAYSTAR

曜凌光電股份有限公司

Web: www.raystar-optronics.com E-mail: sales@raystar-optronics.com

RFG570R-AQW-DNN

SPECIFICATION

General Specifications

- Size: 5.7 inch
- Dot Matrix: 640 x R.G.B. x 480 dots
- Module dimension: 144.0 x 104.6 x 12.3 mm
- Active area: 115.2(H) x 86.4(V) mm
- Dot pitch: 0.18(H) x 0.18(V) mm
- LCD type: TFT, Normally White, Transmissive
- View Direction: 6 o'clock
- Gray Scale Inversion Direction: 12 o'clock
- Aspect Ratio: 4:3
- Backlight Type: LED ,Normally White
- With /Without TP: Without TP
- Surface: Anti-Glare

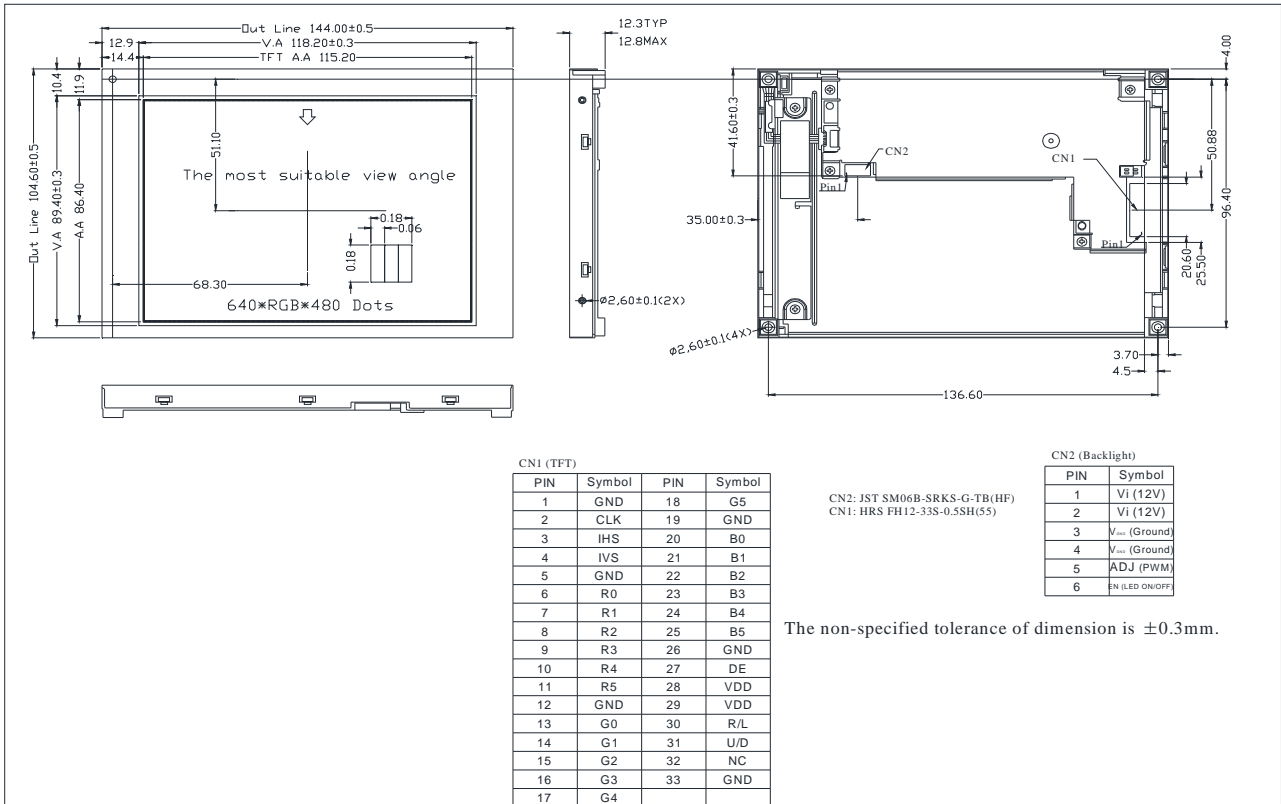
*Color tone slight changed by temperature and driving voltage.

Interface

TFT LCD Module

Pin	Name	Description
1	GND	Ground
2	CLK	Dot Clock
3	IHS	Horizontal synchronous signal
4	IVS	Vertical synchronous signal
5	GND	Ground
6	R0	Red data (LSB)
7	R1	Red data
8	R2	Red data
9	R3	Red data
10	R4	Red data
11	R5	Red data (MSB)
12	GND	Ground
13	G0	Green data (LSB)
14	G1	Green data
15	G2	Green data
16	G3	Green data
17	G4	Green data
18	G5	Green data (MSB)
19	GND	Ground
20	B0	Blue data (LSB)
21	B1	Blue data
22	B2	Blue data
23	B3	Blue data
24	B4	Blue data
25	B5	Blue data (MSB)
26	GND	Ground
27	DE	Data Enable Signal
28	VDD	Power Supply (3.3V)
29	VDD	Power Supply (3.3V)
30	R/L	Horizontal reverse scan
31	U/D	Vertical reverse scan
32	NC	Not Connect
33	GND	Ground

Contour Drawing



Absolute Maximum Ratings

Item	Symbol	Min	Typ	Max	Unit
Operating Temperature	TOP	-30	—	+85	°C
Storage Temperature	TST	-30	—	+85	°C

Electrical Characteristics

TFT LCD Module

Ta = 25 ± 2 °C

Parameter	Symbol	Value			Unit
		Min	Typ	Max	
Power Supply Voltage	VCC	3.0	3.3	3.6	V
Rush Current	IRUSH		1		A
Power Supply Current	White		146	175	mA
	Black		151	181	mA
Power Consumption	PL		0.5		W