



**RAYSTAR**

**曜凌光電股份有限公司**

Web: [www.raystar-optronics.com](http://www.raystar-optronics.com) E-mail: [sales@raystar-optronics.com](mailto:sales@raystar-optronics.com)

## **RFF800P-1IW-DBN**

---

### **SPECIFICATION**

#### **General Specifications**

- Size: 8.0 inch
- Dot Matrix: 800 x RGBx480(TFT) dots
- Module dimension: 192.8(W) x 116.9(H) x 13.1(D) mm
- Active area: 176.64 x 99.36 mm
- Dot pitch: 0.0736x 0.2070 mm
- LCD type: TFT, Normally White ,Transmissive
- View Direction: 12 o'clock
- Gray Scale Inversion Direction: 6 o'clock
- Backlight Type: LED,Normally White
- Controller IC: RA8875
- Interface: Digital 8080 family MPU
- With /Without TP: Without TP
- Surface: Anti-Glare

\*Color tone slight changed by temperature and driving voltage.

## Interface

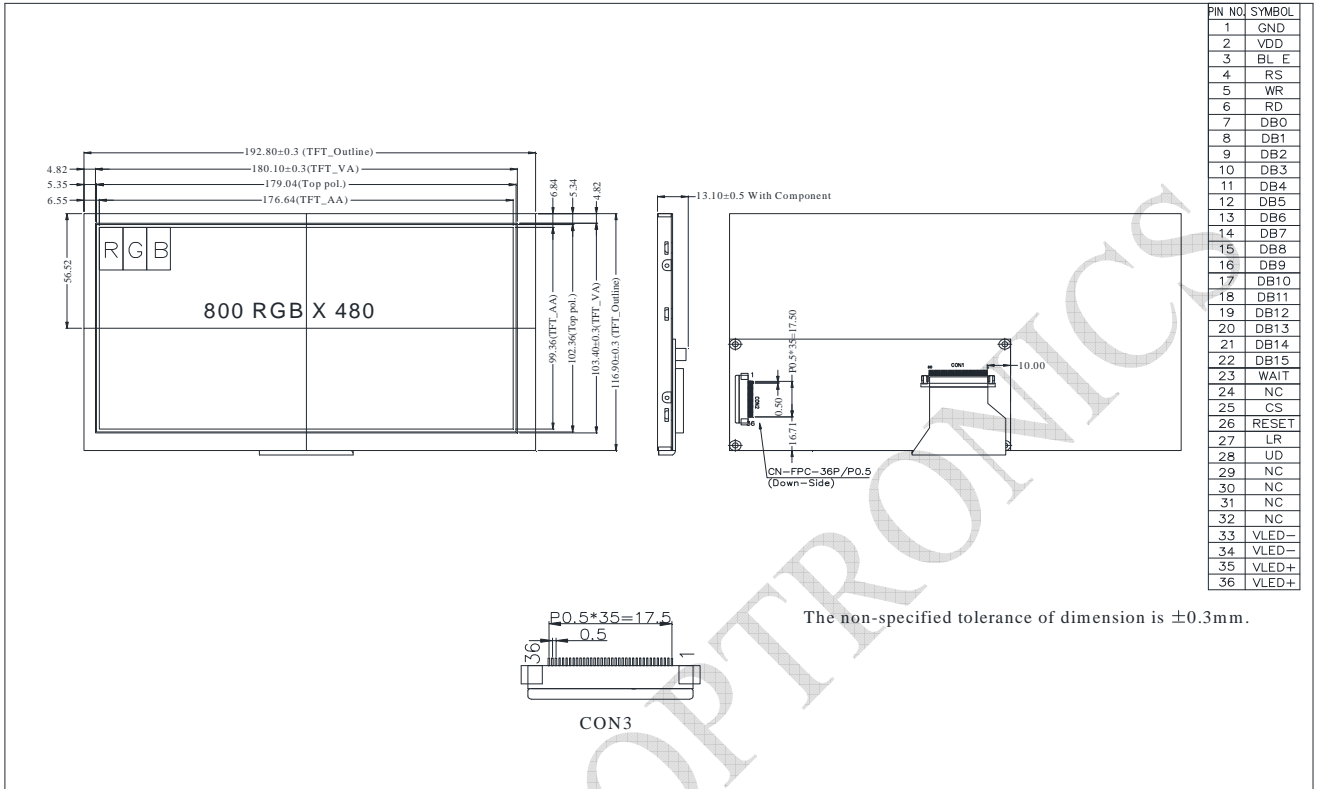
### LCM PIN Definition

TFT LCD Panel Driving Section

FPC Connector is used for the module electronics interface.

Pin	Symbol	Function
1	GND	System ground
2	VDD	Power Supply : +3.3V
3	BL_E	Backlight control signal , H: On \ L: Off
4	RS	Data/Command select
5	WR	Write strobe signal
6	RD	Read strobe signal
7	DB0	Data bus
8	DB1	Data bus
9	DB2	Data bus
10	DB3	Data bus
11	DB4	Data bus
12	DB5	Data bus
13	DB6	Data bus
14	DB7	Data bus
15	DB8	Data bus
16	DB9	Data bus
17	DB10	Data bus
18	DB11	Data bus
29	DB12	Data bus
20	DB13	Data bus
21	DB14	Data bus
22	DB15	Data bus
23	WAIT	Wait Signal Output(H:active)
24	NC	No connection
25	CS	Chip select
26	RESET	Hardware reset
27	LR	Left / right selection; Default L/R=H
28	UD	Up/down selection; ; Default U/D=L
29	NC	No connection
30	NC	No connection
31	NC	No connection
32	NC	No connection
33	VLED-	Power for LED backlight cathode(GND)
34	VLED-	Power for LED backlight cathode(GND)
35	VLED+	Power for LED backlight anode(+5V)
36	VLED+	Power for LED backlight anode(+5V)

# Contour Drawing



## Absolute Maximum Ratings

Item	Symbol	Min	Typ	Max	Unit
Operating Temperature	TOP	-20	—	+70	°C
Storage Temperature	TST	-30	—	+80	°C

## Electrical Characteristics

Operating conditions: (CON2.Pin1=GND, Pin2=VDD)

Item	Symbol	Condition	Min	Typ	Max	Unit
Supply Voltage For LCM	VDD	—	3.0	3.3	3.6	V
Supply Current For LCM	IDD	—	—	199	300	mA

Backlight driving conditions (CON2.Pin33,34=VLED-, Pin35,36=VLED+)

Parameter	Symbol	Min	Typ	Max	Unit
Operation Current For LED Driver	VLED=5V	600	—	900	mA
Power Consumption	VLED=5V	3000	—	4500	mW
Supply Voltage For LED Driver	VLED+	—	5	—	V
LED Life Time	—	20,000	—	—	Hr