



RAYSTAR

曜凌光電股份有限公司

Web: www.raystar-optronics.com E-mail: sales@raystar-optronics.com

RFF500B-AIW-DNN

SPECIFICATION

General Specifications

- Size: 5.0 inch
- Dot Matrix: 800 × 3(RGB) × 480 dots
- Module dimension: 120.7(W) × 75.8(H) × 2.8mm
- Active area: 108(W) × 64.8 (H) mm
- Dot pitch: 0.135(W) × 0.135(H) mm
- LCD type: TFT, Normally White, Transmissive
- View Direction: 12 o'clock
- Gray Scale Inversion Direction: 6 o'clock
- Aspect Ratio: 16:9
- Backlight Type: LED, Normally White
- With /Without TP: Without TP
- Surface: Anti-Glare

*Color tone slight changed by temperature and driving voltage.

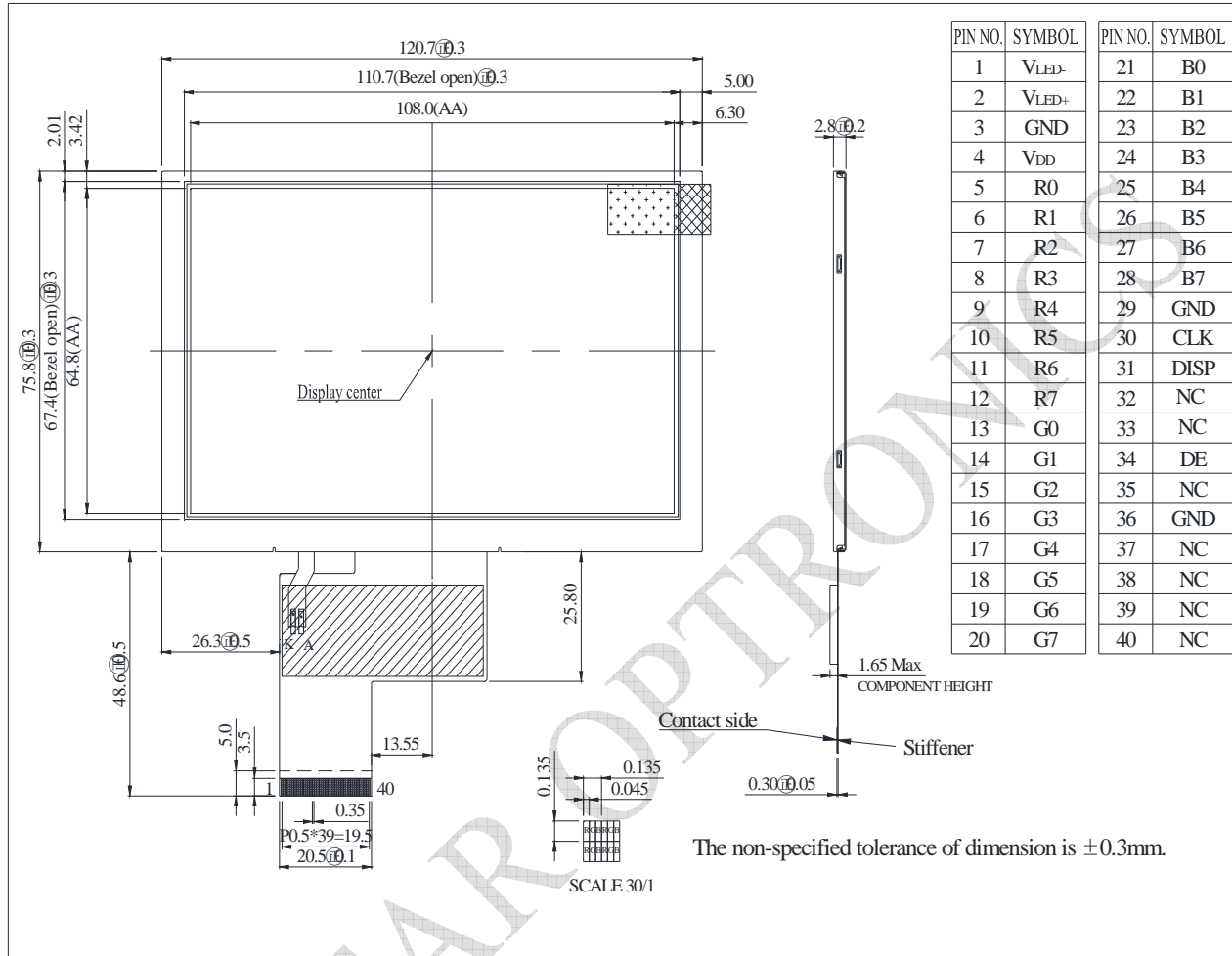
Interface

LCM PIN Definition

FPC Connector is used for the module electronics interface. The recommended model is FH19SC-40S-0.5SH manufactured by HIROSE.

Pin	Symbol	Function
1	VLED-	Power for LED backlight (Cathode)
2	VLED+	Power for LED backlight (Anode)
3	GND	Power Ground
4	VDD	Power voltage
5	R0	Red data (LSB)
6	R1	Red data
7	R2	Red data
8	R3	Red data
9	R4	Red data
10	R5	Red data
11	R6	Red data
12	R7	Red data(MSB)
13	G0	Green data(LSB)
14	G1	Green data
15	G2	Green data
16	G3	Green data
17	G4	Green data
18	G5	Green data
19	G6	Green data
20	G7	Green data(MSB)
21	B0	Blue data(LSB)
22	B1	Blue data
23	B2	Blue data
24	B3	Blue data
25	B4	Blue data
26	B5	Blue data
27	B6	Blue data
28	B7	Blue data(MSB)
29	GND	Power Ground
30	CLK	Sample clock
31	DISP	Display on/off
32	NC	No connection
33	NC	No connection
34	DE	Data input enable
35	NC	No connection
36	GND	Power Ground
37~40	NC	No connection

Contour Drawing



Absolute Maximum Ratings

Item	Symbol	Min	Typ	Max	Unit
Operating Temperature	TOP	-20	—	+70	°C
Storage Temperature	TST	-30	—	+80	°C

Electrical Characteristics

Typical Operation Conditions

Item	Symbol	Values			Unit
		Min	Typ	Max	
Power voltage	VDD	3.1	3.3	3.5	V
Current for Driver(Black)	I _{dd}	—	110	170	mA
Input logic high voltage	V _{IH}	0.7 VDD	—	VDD	V
Input logic low voltage	V _{IL}	0	—	0.3 VDD	

Backlight Driving Conditions

Item	Symbol	Values			Unit
		Min	Typ	Max	
Voltage for LED backlight	V _L	18	19.2	20	V
Current for LED backlight	I _L	—	60	—	mA
LED life time	—	—	50,000	—	Hr