



**RAYSTAR**

**曜凌光電股份有限公司**

Web: [www.raystar-optronics.com](http://www.raystar-optronics.com) E-mail: [sales@raystar-optronics.com](mailto:sales@raystar-optronics.com)

## **RFE43BP-EIW-DBN**

---

### **SPECIFICATION**

#### **General Specifications**

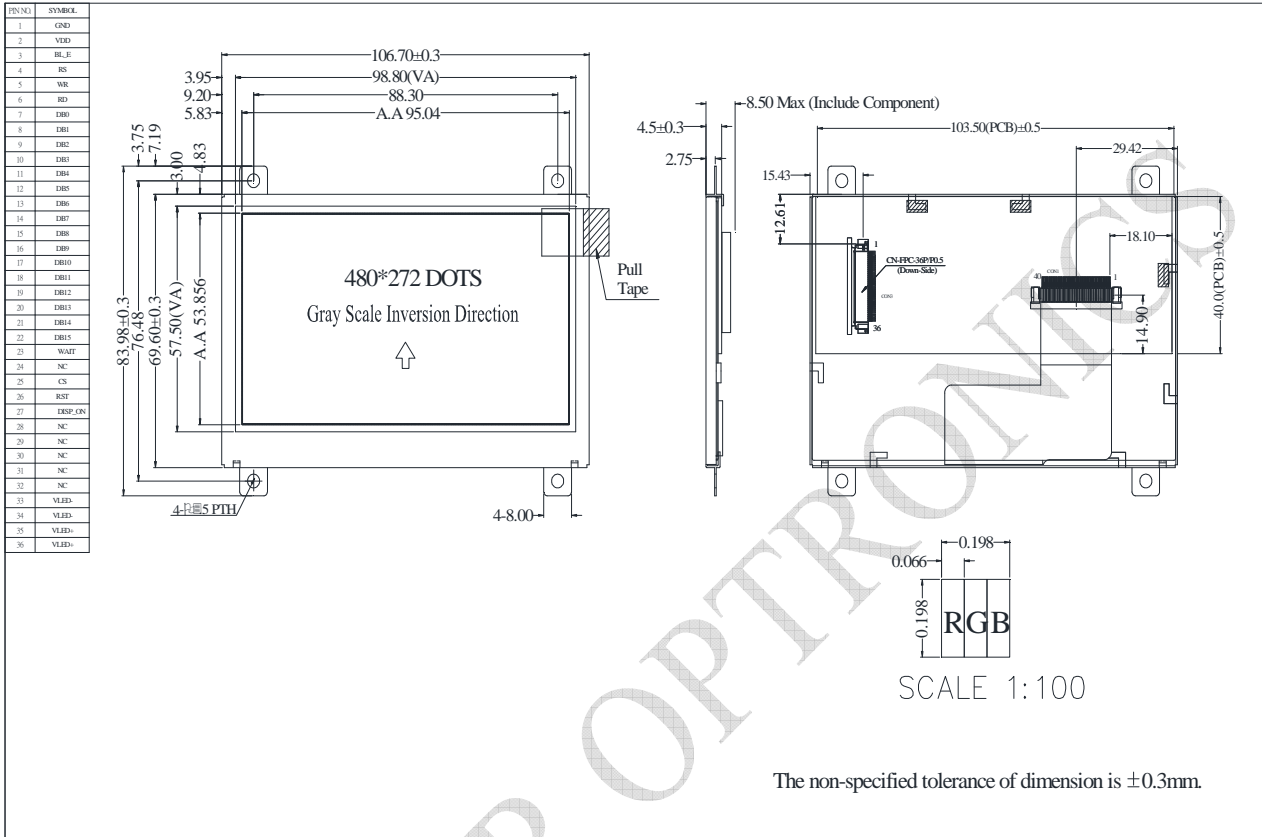
- Size: 4.3 inch
- Dot Matrix: 480 x RGB x 272(TFT) dots
- Module dimension: 106.7 x 83.98 x 8.5 mm
- Active area: 95.04 x 53.856 mm
- Dot pitch: 0.066 x 0.198 mm
- LCD type: TFT, Normally White, Transmissive
- View Direction: 12 o'clock
- Gray Scale Inversion Direction: 6 o'clock
- Aspect Ratio: 16:9
- Backlight Type: LED, Normally White
- Controller IC: RA8875
- Interface: Digital 8080 family MPU
- With /Without TP: Without TP
- Surface: Glare

## Interface

### LCM PIN Definition (CON3)

Pin	Symbol	Function
1	GND	System ground
2	VDD	Power Supply : +3.3V
3	BL_E	Backlight control signal , H: On \ L: Off
4	RS	Data/Command select
5	WR	Write strobe signal
6	RD	Read strobe signal
7~22	DB0~DB15	Data bus
23	WAIT	Wait Signal Output(H:active)
24	NC	No connect
25	CS	Chip select
26	RST	Hardware reset
27	DIP ON	Display control H: On \ L:Off
28~32	NC	No connect
33~34	VLED-	Power for LED backlight cathode
35~36	VLED+	Power for LED backlight anode

# Contour Drawing



## Absolute Maximum Ratings

Item	Symbol	Min	Typ	Max	Unit
Operating Temperature	TOP	-20	—	+70	°C
Storage Temperature	TST	-30	—	+80	°C

## Electrical Characteristics

Operating conditions (CON3.Pin1=GND, Pin2=VDD)

Item	Symbol	Condition	Min	Typ	Max	Unit
Supply Voltage For LCM	VDD	—	3.0	3.3	3.6	V
Supply Current For LCM	IDD	—	—	65	100	mA

Backlight driving conditions (CON3.Pin33,34=VLED-, Pin35,36=VLED+)

Parameter	Symbol	Min	Typ	Max	Unit
Operation Current For LED Driver	VLED+=3.3V	270	—	405	mA
Power Consumption	VLED+=3.3V	891	—	1337	mW
Supply Voltage For LED Driver	VLED+	3.3	—	5	V
LED Life Time		—	50,000	—	Hr