



RAYSTAR

曜凌光電股份有限公司

Web: www.raystar-optronics.com E-mail: sales@raystar-optronics.com

RFC570C-SLW-DNS

SPECIFICATION

General Specifications

- Dot Matrix: 320 x RGB x 240(TFT) dots
- Module dimension: 143.5 x 104.1 x 13.85 mm
- Active area: 115.2 x 86.4 mm
- Dot pitch: 0.12 x 0.36 mm
- LCD type: TFT, Normally White, Transmissive
- View Direction: 6 o'clock
- Gray Scale Inversion Direction: 12 o'clock
- Backlight Type: LED, Normally White
- With /Without TP: With RTP
- Surface: Anti-Glare

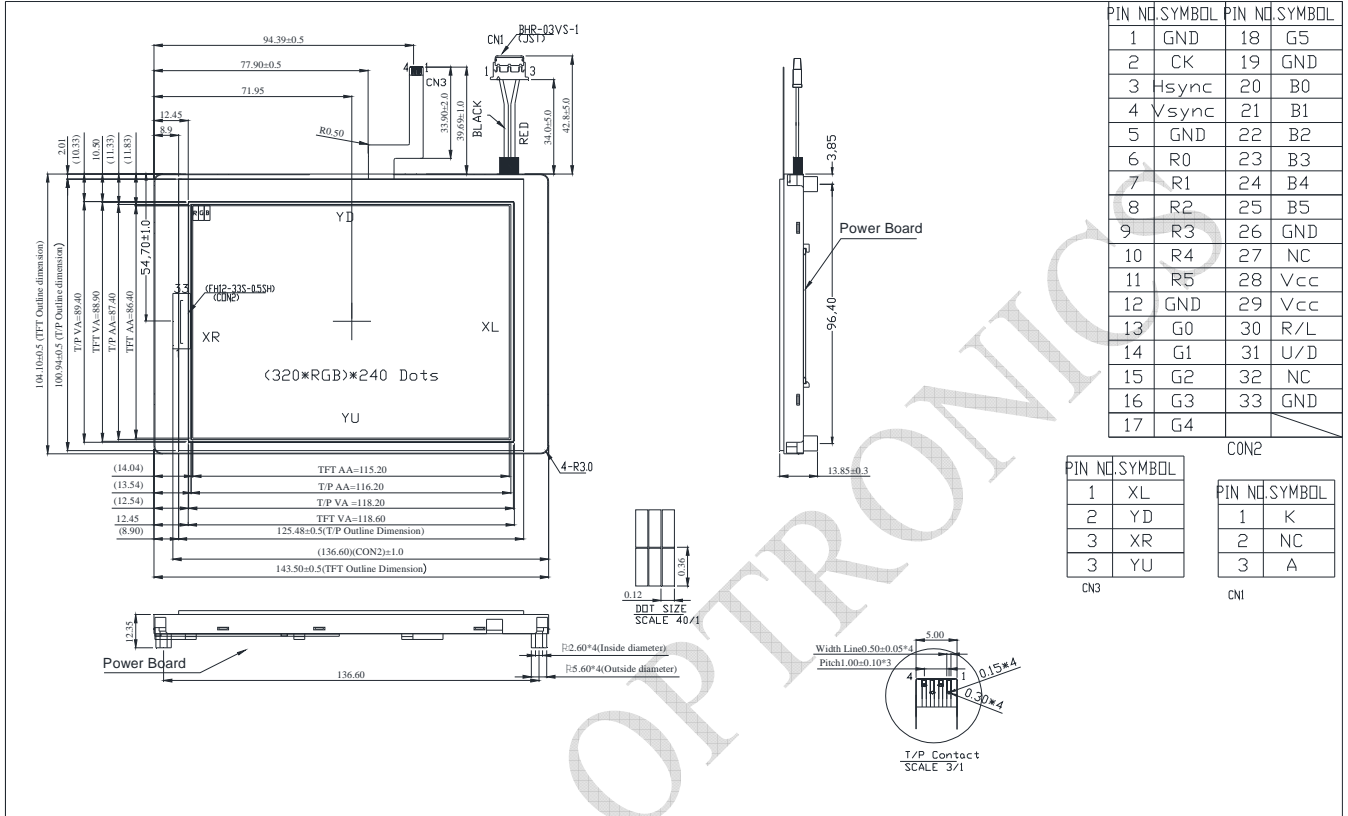
*Color tone slight changed by temperature and driving voltage.

Interface

LCM PIN Definition

Pin	Symbol	Function
1	GND	Ground
2	CK	Clock signal for sampling each data signal
3	Hsync	Horizontal synchronous signal
4	Vsync	Vertical synchronous signal
5	GND	Ground
6	R0	Red Data bit(LSB)
7	R1	Red Data bit
8	R2	Red Data bit
9	R3	Red Data bit
10	R4	Red Data bit
11	R5	Red Data bit(MSB)
12	GND	Ground
13	G0	Green Data bit(LSB)
14	G1	Green Data bit
15	G2	Green Data bit
16	G3	Green Data bit
17	G4	Green Data bit
18	G5	Green Data bit(MSB)
19	GND	Ground
20	B0	Blue Data bit(LSB)
21	B1	Blue Data bit
22	B2	Blue Data bit
23	B3	Blue Data bit
24	B4	Blue Data bit
25	B5	Blue Data bit(MSB)
26	GND	Ground
27	NC	No connect
28	VCC	+3.3V power supply
29	VCC	+3.3V power supply
30	R/L	Selection signal for horizontal scanning direction (L: Normally H: Right-and-left reversal)
31	U/D	Selection signal for vertical scanning direction (H: Normally L: Up-and-Down reversal)
32	NC	No connect
33	GND	Ground

Contour Drawing



PIN NO.	SYMBOL	PIN NO.	SYMBOL
1	GND	18	G5
2	CK	19	GND
3	Hsync	20	B0
4	Vsync	21	B1
5	GND	22	B2
6	R0	23	B3
7	R1	24	B4
8	R2	25	B5
9	R3	26	GND
10	R4	27	NC
11	R5	28	Vcc
12	GND	29	Vcc
13	G0	30	R/L
14	G1	31	U/D
15	G2	32	NC
16	G3	33	GND
17	G4		

CN3

PIN NO.	SYMBOL
1	XL
2	YD
3	XR
3	YU

CN1

PIN NO.	SYMBOL
1	K
2	NC
3	A

CON2

RAYSTAR

Absolute Maximum Ratings

Item	Symbol	Min	Typ	Max	Unit
Operating Temperature	TOP	-20	—	+70	°C
Storage Temperature	TST	-30	—	+80	°C

Electrical Characteristics

Operating conditions

Item	Symbol	Condition	Min	Typ	Max	Unit
Supply Voltage For LCM	VCC	—	3.0	3.3	3.6	V
Supply Current For LCM	ICC	—	—	110	170	mA
Power Consumption	—	—	—	363	612	mW

LED driving conditions

Parameter	Symbol	Min	Typ	Max	Unit
LED current		-	140	-	mA
Power Consumption		1260	-	1470	mW
LED voltage	VBL+	9.0	-	10.5	V
LED Life Time		-	50,000	-	Hr