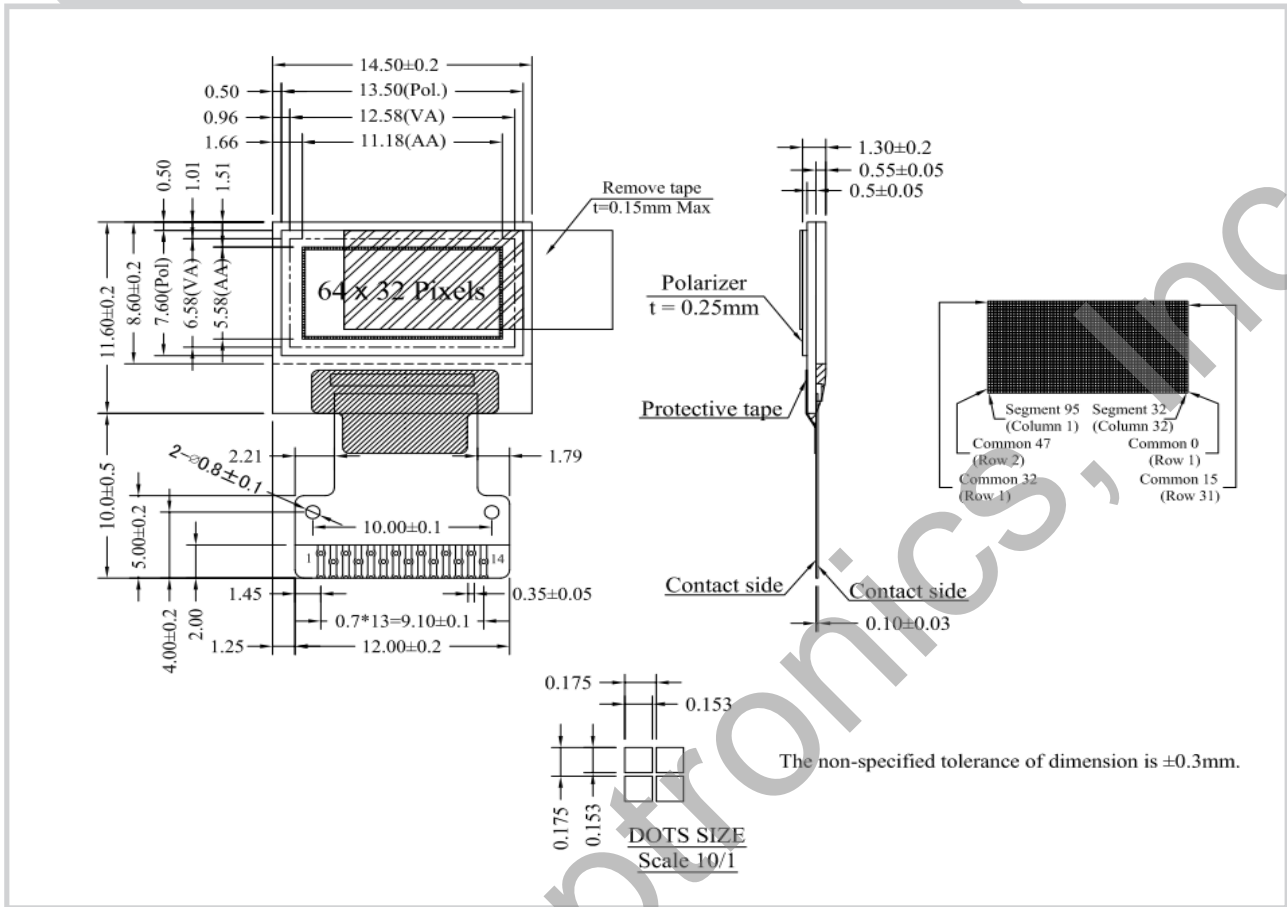


REX006432A OLED Graphic 64x32 dots



Feature

1. 64*32 Dot Matrix
2. Built-in controller SSD1306BZ
3. +3V Power supply
4. 1/32 duty
5. Interface: I2C
6. Polarizer optional

Pin No.	Symbol	Description
1	C2P	Charge pump capacitor
2	C2N	Charge pump capacitor
3	C1P	Charge pump capacitor
4	C1N	Charge pump capacitor
5	VBAT	Charge pump regulator
6	NC	No Connection
7	VSS	Ground Pin
8	VDD	Voltage for logic
9	RES#	Reset Signal Pin
10	SCL	Serial clock
11	SDA	Serial data
12	IREF	SEG Current Refer Pin
13	VCOMH	COM deselected level
14	VCC	Panel driving voltage

Mechanical Data

Item	Standard Value	Unit
Module Dimension	14.50 x 11.60	mm
Viewing Area	12.58 x 6.58	mm
Active Area	11.18 x 5.58	mm
Dot Pitch	0.18 x 0.18	mm
Dot Size	0.15 x 0.15	mm

Electrical Characteristics

Item	Symbol	Condition	Standard Value			Unit
			min.	typ.	max.	
Input Voltage	VDD	---	2.8	3.0	3.3	V