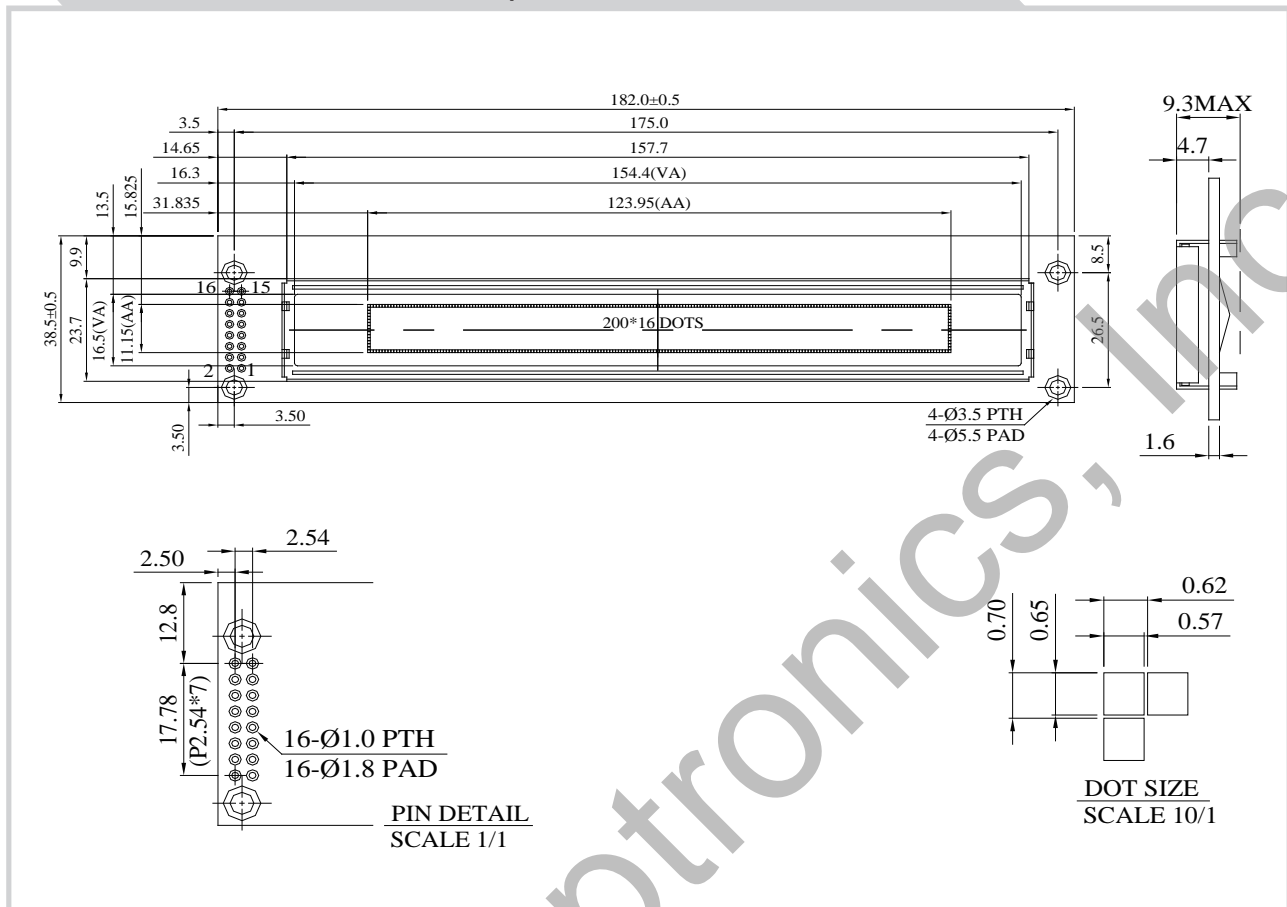


REG020016A OLED Graphic 200x16 dots



Feature

1. 200*16 Dot Matrix
2. Built-in Controller RS0010
3. 5V power supply
4. 1/16 duty cycle
5. Interface: 6800, option 8080, SPI
6. Polarizer optional

Pin No.	Symbol	Description
1	VSS	Ground Pin
2	VDD	Voltage for logic
3	NC	No Connection
4	RS	Register Select
5	R/W	Read/Write Control
6	E	Chip Enable Signal
7	DB0	Data Bus
8	DB1	Data Bus
9	DB2	Data Bus
10	DB3	Data Bus
11	DB4	Data Bus
12	DB5	Data Bus
13	DB6	Data Bus
14	DB7	Data Bus
15	CS1	Chip select pin
16	CS2	Chip select pin

Mechanical Data

Item	Standard Value	Unit
Module Dimension	182.0 x 38.5	mm
Viewing Area	154.4 x 16.5	mm
Active Area	123.95 x 11.15	mm
Dot Pitch	0.62 x 0.70	mm
Dot Size	0.57 x 0.65	mm

Electrical Characteristics

Item	Symbol	Condition	Standard Value			Unit
			min.	typ.	max.	
Input Voltage	VDD	---	4.8	5.0	5.3	V