

# OLED DISPLAY SPECIFICATION



RAYSTAR

RAYSTAR Optronics, Inc.  
曜凌光電股份有限公司



曜凌光電股份有限公司  
Raystar Optronics, Inc.

T: +886-4-2565-0761 | F: +886-4-2565-0760

salescontact@raystar-optronics.com | www.raystar-optronics.com

---

## REA012840A

### General Specification

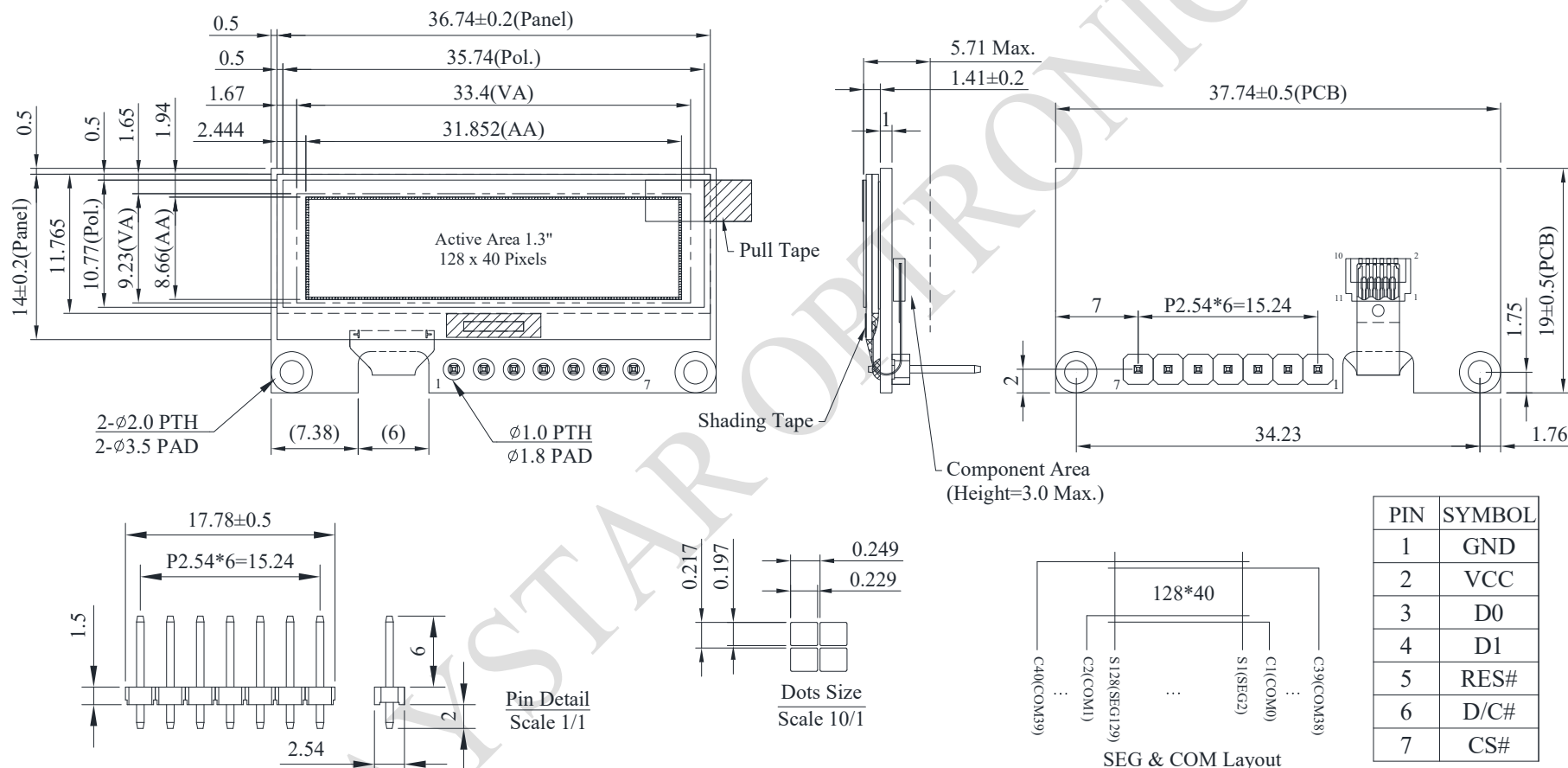
The Features is described as follow:

- Module dimension: 37.74 × 19.00 × 5.71 mm
- Active area: 31.852 × 8.66 mm
- Dot Matrix: 128 x 40
- Dot size: 0.229 × 0.197 mm
- Dot pitch: 0.249 × 0.217 mm
- Duty: 1/40 Duty
- Display Color: Monochrome
- IC: SH1106G-0E
- Interface: 4-Wire SPI
- Size: 1.3 inch

## Interface Pin Function

No.	Symbol	Function
1	GND	GND.
2	VCC	OLED Drive Power Supply.
3	D0	The serial clock input pad.
4	D1	The serial data input pad.
5	RES#	This is a reset signal input pad. When RES is set to "L", the settings are initialized. The reset operation is performed by the RES signal
6	D/C#	This is the Data/Command control pad that determines whether the data bits are data or a command.
7	CS#	This pad is the chip select input.

# Contour Drawing



PIN	SYMBOL
1	GND
2	VCC
3	D0
4	D1
5	RES#
6	D/C#
7	CS#

The non-specified tolerance of dimension is  $\pm 0.3$ mm.

## Absolute Maximum Ratings

Parameter	Symbol	Min	Max	Unit
Logic Power Supply Voltage	VCC	-0.3	3.6	V
Operating Temperature	TOP	-40	+80	°C
Storage Temperature	TSTG	-40	+85	°C

## Electrical Characteristics

### DC Characteristics

Item	Symbol	Condition	Min	Typ	Max	Unit
Logic Power Supply Voltage	VCC	—	2.5	3.3	3.5	V
Input High Volt.	VIH	—	0.8xVCC	—	VCC	V
Input Low Volt.	VIL	—	0	—	0.2xVCC	V
Output High Volt.	VOH	—	0.8xVCC	—	VCC	V
Output Low Volt.	VOL	—	0	—	0.2xVCC	V
Display 50% Pixel on	ICC	VCC=3.3V	—	30	45	mA