

# OLED DISPLAY SPECIFICATION



RAYSTAR

RAYSTAR Optronics, Inc.  
曜凌光電股份有限公司



曜凌光電股份有限公司  
Raystar Optronics, Inc.

T: +886-4-2565-0761 | F: +886-4-2565-0760

salescontact@raystar-optronics.com | www.raystar-optronics.com

---

## REA012832K

### General Specification

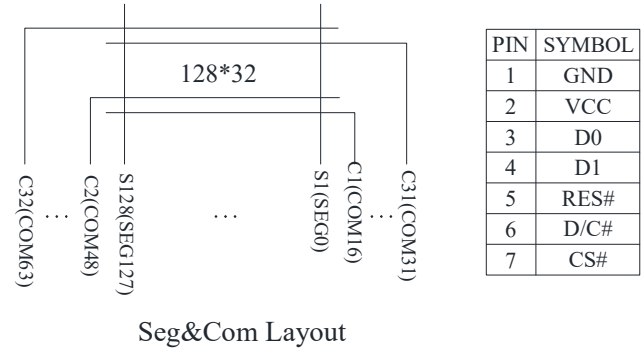
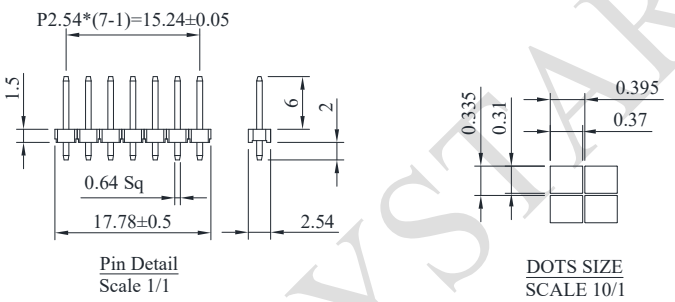
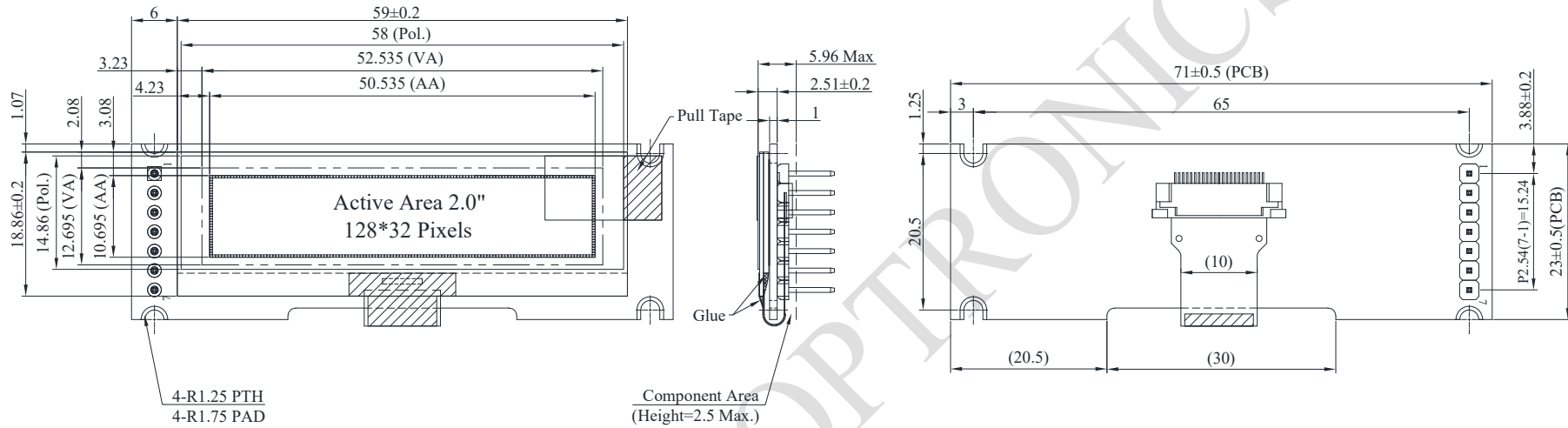
The Features is described as follow:

- Module dimension: 59.0 × 18.86 × 5.96 (Max) mm
- Active area: 50.535 × 10.695 mm
- Dot Matrix: 128 x 32
- Pixel size: 0.370 × 0.310 mm
- Pixel pitch: 0.395 × 0.335 mm
- Display Mode: Passive Matrix
- Duty: 1/32 Duty
- Display Color: Monochrome
- IC: SSD1315
- Interface: 4-Wire SPI
- Size: 2.0 inch

## Interface Pin Function

No.	Symbol	Function
1	GND	Ground.
2	VCC	Power supply pin for core logic operation.
3	D0	The serial clock input
4	D1	The serial data input
5	RES#	This pin is reset signal input. When the pin is pulled LOW, initialization of the chip is executed. Keep this pin HIGH (i.e. connect to VDD) during normal operation.
6	D/C#	This pin is Data/Command control pin connecting to the MCU. When the pin is pulled HIGH, the data at D1 will be interpreted as data. When the pin is pulled LOW, the data at D1 will be transferred to a command register. In I2C mode, this pin acts as SA0 for slave address selection.
7	CS#	This pin is the chip select input connecting to the MCU. The chip is enabled for MCU communication only when CS# is pulled LOW (active LOW).

# Contour Drawing



The non-specified tolerance of dimension is ±0.3 mm .

## Absolute Maximum Ratings

Parameter	Symbol	Min	Typ	Max	Unit
Supply Voltage for Display	VCC	-0.3	-	4	V
Operating Temperature	TOP	-40	-	+80	°C
Storage Temperature	TSTG	-40	-	+85	°C

## Electrical Characteristics

### DC Electrical Characteristics

Items	Symbol	Condition	Min	Typ	Max	Unit
Supply Voltage for Logic	VCC	—	2.8	3.0	3.3	V
High Level Input	VIH	—	0.8xVCC	—	VCC	V
Low Level Input	VIL	—	0	—	0.2xVCC	V
High Level Output	VOH	—	0.9xVCC	—	VCC	V
Low Level Output	VOL	—	0	—	0.1xVCC	V
Display 50% Pixel on	ICC	VCC =3V	—	40	80	mA